

Professional streetlight luminaire for LED light sources. Luminaire replaced by URBINO LED luminaire.

TECHNICAL DATA

Mounting: on pillar $\varnothing 60/48\text{mm}$, on pillar $\varnothing 76\text{mm}$ - modification .829, on outriggers $\varnothing 60/48\text{mm}$, on outriggers $\varnothing 76\text{mm}$ - modification .829

Body: high pressure die-cast aluminum

Lateral Surface Wind Exposed: 0.039 m²

Colour: gray

Diffuser: tempered glass

ELECTRICAL DATA

Power supply efficiency: >95%

Power: 220-240V 50/60Hz

Includes light source: yes

Type of equipment: DALI/ED

Electrical connection: max 3x2,5 mm² / 5x2,5 mm² wire, max 2x2,5 mm² / 4x2,5 mm² wire

OPTICAL DATA

Way of lighting: direct

Type of optic: O13 - for express roads, O14 - for local roads, O15 - for town roads, O16 - for residential area roads, O31

ULOR / DLOR: 0% / 100%

GENERAL DATA

Lifetime LED (L90): 100 000 h

Additional information: Tilt adjustment: -15° to +15° (every 5°)

Additional equipment: additional anti-corrosive protection (index extension: .985), access to the driver chamber without the use of tools (index extension: .825), luminaire with holder for mounting on a $\varnothing 76\text{mm}$ pillar (index extension: .829)

Other remarks: the pole and boom are not part of the luminaire

Warranty: 5 years

Application: express roads, local roads, town roads, residential area roads, area lighting, residential, public spaces, parking areas



Code	Type of equipment	Luminaire power [W]	Lumen luminaire [lm]	Efficacy [lm/W]	Colour temperature [K]	CRI/Ra	Operating temperature range [°C]
Type: O13, O14, O15, O16 optics							
130252.6L02X.XX1	DALI/ED	27	3350	124	4000	>70	-40 ... +55
130252.6L05X.XX1	DALI/ED	35	4500	129	4000	>70	-40 ... +55
130252.6L08X.XX1	DALI/ED	51	6600	129	4000	>70	-40 ... +55
130252.6L11X.XX1	DALI/ED	76	10050	132	4000	>70	-40 ... +55
130252.6L14X.XX1	DALI/ED	99	13050	132	4000	>70	-40 ... +55
130252.6L17X.XX1	DALI/ED	128	16150	126	4000	>70	-40 ... +40
130252.6L20X.XX1	DALI/ED	157	19050	121	4000	>70	-40 ... +35
Type: O14 optics							
130252.6L241.021	DALI/ED	88	10500	119	3000	>70	-40 ... +55
130252.6L261.021	DALI/ED	71	8400	118	3000	>70	-40 ... +55
Type: O31 optics							
130252.6L251.051	DALI/ED	49	5600	114	3000	>70	-40 ... +55
130252.6L271.051	DALI/ED	80	10200	128	3000	>70	-40 ... +55

Please note that the standard luminaire is not intended for use in an environment with an increased corrosivity category. The use of the luminaire for work in an environment for which additional corrosion protection is necessary requires the use of an index with the extension .985 (on request).

In order to apply the luminaire in an aggressive environment, for example with an increased concentration of sulfur, salt or other aggressive substances, a consultation with the LUG Technical Preparation of Production Branch is required.

Luminous flux tolerance +/- 10%.

Power tolerance +/- 5%.

Lighting beam, light intensity distribution and light efficiency were examined in accordance with the EN ISO 17025:2005 norm for EN13032 norm series and the LM-79 norm.

Up-to-date product info and General Warranty Terms available on our website www.luglightfactory.com

Detailed information on luminous fluxes and powers for individual indexes are indicated on the product data sheet.

The parameters in the data sheet are given for Ta=25°C.

The operating temperature ranges apply only to luminaires used in the outdoor environment.

130252.6L01



Type of luminaires

985 Luminaire with an additional anti-corrosion protection on request

825 Access to the driver chamber without the use of tools on request

829 Luminaire with holder for mounting on a $\varnothing 76\text{mm}$ pillar on request

Type of optic

01 O13 - for express roads

02 O14 - for local roads

03 O15 - for town roads

04 O16 - for residential area roads

Protection Class

1 I

2 II

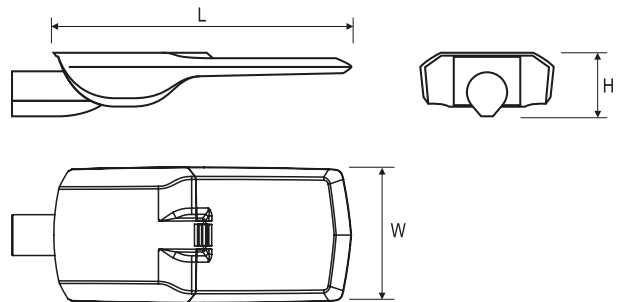
Code	Dimensions [mm] L W H	Pallet quantity	Quantity in package	Net weight [kg]
Type: O13, O14, O15, O16 optics				
130252.6L02X.XX1	550 250 100	50	1	7.0
130252.6L05X.XX1	550 250 100	50	1	7.0
130252.6L08X.XX1	550 250 100	50	1	7.0
130252.6L11X.XX1	550 250 100	50	1	7.0
130252.6L14X.XX1	550 250 100	50	1	7.0
130252.6L17X.XX1	550 250 100	50	1	7.0
130252.6L20X.XX1	550 250 100	50	1	7.0

Type: O14 optics

130252.6L241.021	550 250 100	50	1	7.0
130252.6L261.021	550 250 100	50	1	7.0

Type: O31 optics

130252.6L251.051	550 250 100	50	1	7.0
130252.6L271.051	550 250 100	50	1	7.0

OTHER PICTURES

Luminaire with tool-free access to the power supply chamber (on request)

Luminaire with holder for mounting on a $\varnothing 76\text{mm}$ pillar (on request)**ACCESSORIES**

■ 150170.00818
■ 150173.00906

Wall bracket $\varnothing 60\text{mm}$

Please note that the standard luminaire is not intended for use in an environment with an increased corrosivity category. The use of the luminaire for work in an environment for which additional corrosion protection is necessary requires the use of an index with the extension .985 (on request).

In order to apply the luminaire in an aggressive environment, for example with an increased concentration of sulfur, salt or other aggressive substances, a consultation with the LUG Technical Preparation of Production Branch is required.

Luminous flux tolerance +/- 10%.

Power tolerance +/- 5%.

Lighting beam, light intensity distribution and light efficiency were examined in accordance with the EN ISO 17025:2005 norm for EN13032 norm series and the LM-79 norm.

Up-to-date product info and General Warranty Terms available on our website www.luglightfactory.com

Detailed information on luminous fluxes and powers for individual indexes are indicated on the product data sheet.

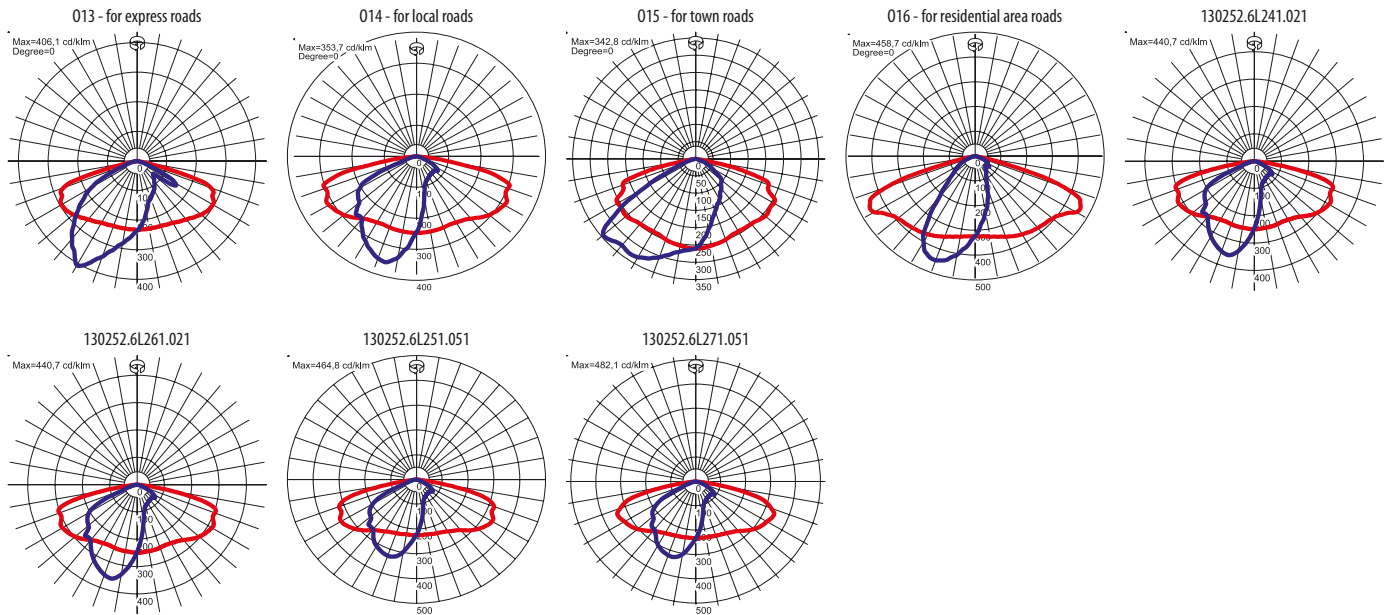
The parameters in the data sheet are given for $T_a=25^\circ\text{C}$.

The operating temperature ranges apply only to luminaires used in the outdoor environment.

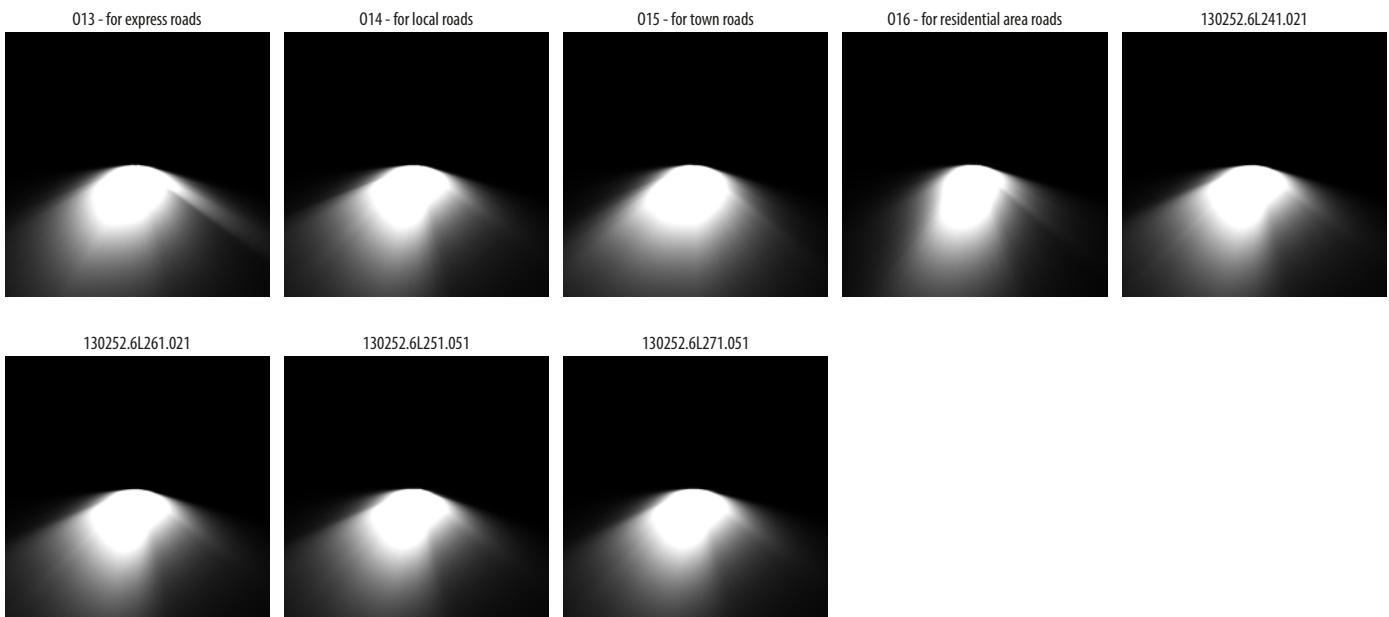
Date of issue: 30-12-2019

The LUG Company reserves right to introduce any construction changes and improvements into the lighting luminaires

LIGHT BEAM CURVES



WAY OF LIGHTING



Please note that the standard luminaire is not intended for use in an environment with an increased corrosivity category. The use of the luminaire for work in an environment for which additional corrosion protection is necessary requires the use of an index with the extension .985 (on request).

In order to apply the luminaire in an aggressive environment, for example with an increased concentration of sulfur, salt or other aggressive substances, a consultation with the LUG Technical Preparation of Production Branch is required.

Luminous flux tolerance +/- 10%.

Power tolerance +/- 5%.

Lighting beam, light intensity distribution and light efficiency were examined in accordance with the EN ISO 17025:2005 norm for EN13032 norm series and the LM-79 norm.

Up-to-date product info and General Warranty Terms available on our website www.luglightfactory.com

Detailed information on luminous fluxes and powers for individual indexes are indicated on the product data sheet.

The parameters in the data sheet are given for $T_a=25^{\circ}\text{C}$.

The operating temperature ranges apply only to luminaires used in the outdoor environment.

Date of issue: 30-12-2019

The LUG Company reserves right to introduce any construction changes and improvements into the lighting luminaires